

## References Say

“...outstanding job making our prototype an economically viable product, saved many tens of thousands“ B. Soroush, Alcoa Packaging Machinery Inc., Englewood CO

“...A pleasure to work with a practical engineer who applies state of the art technology.“ H. Cavelaro, Spectrum Tech, New Haven CT

“...highly recommended. Effectively troubleshot and brought into compliance a product that did not meet specification.“ E. Hafersat, Carts of Colorado, Denver CO

“Employed creativity and tenacity to correct many problems. His vision and knowledge made lots happen within budget and on schedule. A technologist,“ L Gouger, Ball ESD Corp. Boulder, CO

“...on time, resourcefully resolved problems, brought plastics and rapid prototyping knowledge we did not have.“  
B.T.S. Inc., E Lavanger, Salt Lake City, UT

## Partial End User List

Alcoa Packaging Machinery  
Ampex Corporation  
Ball Electronics Systems Div.  
Bank Systems 2000  
Broadcast Television Systems  
Carts of Colorado (PepsiCo)  
Celestica Corporation  
Circuit Images Corp.  
Community Power Corp.  
Espresso Coffee Inc.  
Hewlett Packard  
I.B.M.  
Lockheed Martin  
National Institute Standards & Technology  
Rocky Mountain Orthodontics  
Vapor Technologies  
Wilkerson Corp.

## Technology Expertise

- ❑ Product and Machine Design
  - ❑ Collaborative and Concurrent Engineering with in depth Manufacturing Experience
  - ❑ Using State of the Art 3D Solid Modeling
- ❑ Mechanical, Electronic and Electro-mechanical manufacturing first hand support experience
  - ❑ Precision machined and sheet metal parts, components, assemblies, and tooling
  - ❑ Casting, Sintering and Molding Technology for both metals and plastics
  - ❑ Metal injection molded parts using brass, tool steels and stainless steels
  - ❑ Welding and brazing processes
  - ❑ Finishing technologies
- ❑ Manufacturing Systems
  - ❑ Lean Manufacturing
  - ❑ Paperless Manufacturing Systems: CAD to ERP, ECNs, PDMs, and PLMs
  - ❑ Process Flow Diagrams
  - ❑ Value Stream Mapping

### **Turning your ideas into reality!**

MTMCo brings all the elements together!  
Your project happens when you want it,  
How you want it.



This product design prototype is a customer service terminal providing the customer secure access to account information.

## **MTMCo, Inc.**

Designs and their  
Manufacturing from  
Concept to Production



### **PRODUCT DESIGN**

### **CONCURRENT ENGINEERING**

### **MANUFACTURING PROCESSES**



### **Michael L. Goldberg**

**17 Conifer Rd  
Golden, CO 80401  
phone 303-589-5343**

[\*\*mgoldberg@mtmco.com\*\*](mailto:mgoldberg@mtmco.com)

**Visit my website at  
[www.mtmco.com](http://www.mtmco.com)**

## MTMCo Services

### **Product and Machine Design**

- ❑ Cradle to grave, done using concurrent and collaborative engineering methodology
- ❑ Incorporating industrial design and value engineering with an iterative design process and manufacturing to create 3D model and robust manufacturing methods
- ❑ Manufacturing implementation
- ❑ ECOs, continuation and value engineering with DfX, & product variants

### **Concurrent & Value Engineering**

- ❑ Your product concept designed using integrated DfX metrics to reduce costs
- ❑ Design with vendor and customer input
- ❑ Follow through assures product specifications and cost targets are met.

### **Manufacturing Systems**

- ❑ Process Documentation
- ❑ Manufacturing to Quality and Engineering interface
- ❑ Manufacturing Best Practices implementation and instruction
- ❑ Facility and production line layout
- ❑ Special Machines and Automation Systems (design and implementation)



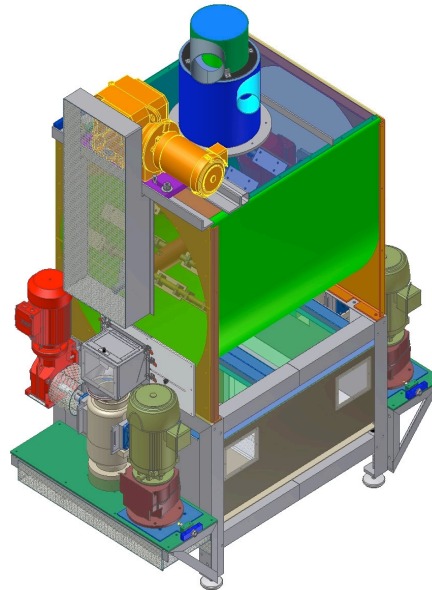
This product uses two Electrical Cabinet Assemblies for user display and interface.

**MTMCo has efficiently brought many products from conception to the production floor.**

## Affiliated Services

MTMCo has close associations with many experts in related engineering disciplines. As required, we bring in affiliates to form a team of experienced professionals that coordinate all the activities required for your project. Additional services include;

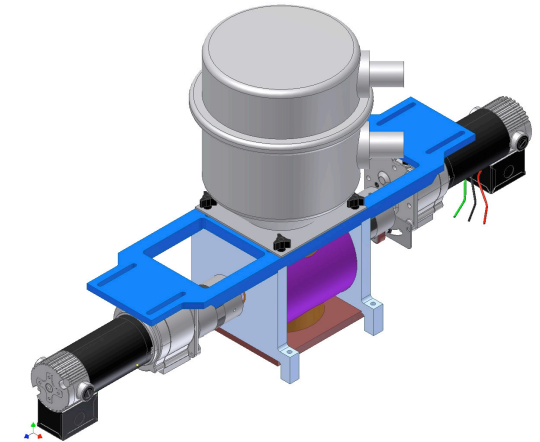
- ❑ Industrial Design
- ❑ Finite Element Analysis & Simulation
- ❑ Drafting & Documentation
- ❑ Electronics Engineering; power, logic, computer and analog design specialists
- ❑ Software Development
- ❑ Rapid Prototyping
- ❑ Contract Manufactures & Job Shops



This is a combined machine doing four processes in one station: feeding, mixing, pelletizing and drying.

## Owner's Background

MTMCo owner Michael Goldberg has thirty years of engineering and management experience. Holder of several patents, Mike has two degrees, extensive machine shop, sheet metal and plastics background and is a Certified Manufacturing Engineer. He has a passion for using manufacturing best practices and concurrent engineering to improve both product design and manufacturing systems. He keeps skill levels ahead of current technology with constant continuing education. Besides MS Office, he adept with a variety of software packages for CAD, Project Management, Quality, Document Control and ERP/MRP business management systems.



This mechanism redesign uses new technology for feed stock transport and process isolation. In conjunction with a small commercial vacuum, it replaces two large conveyors, an air lock, and a feed chute significantly reducing system cost and complexity.